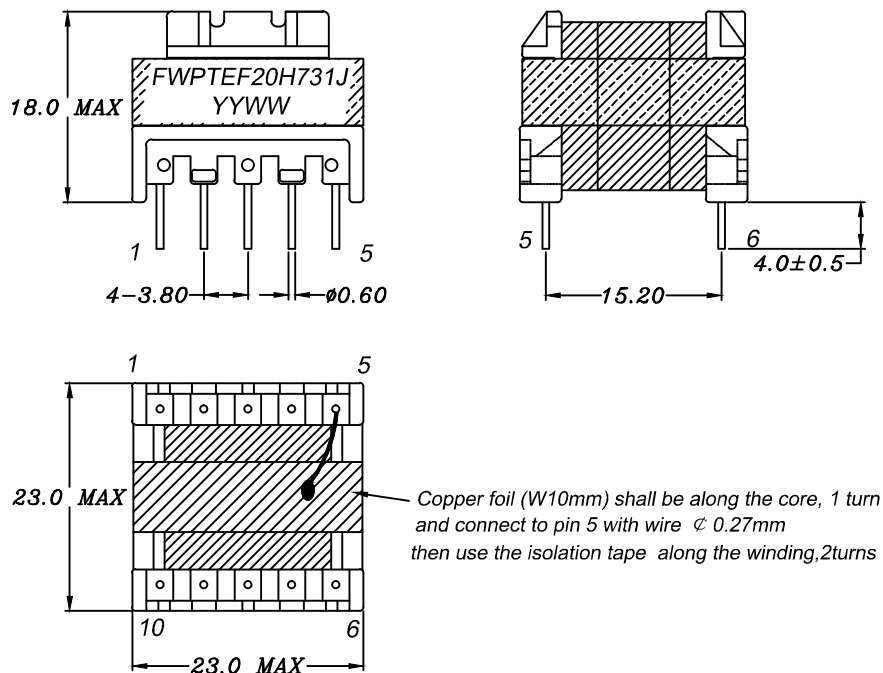


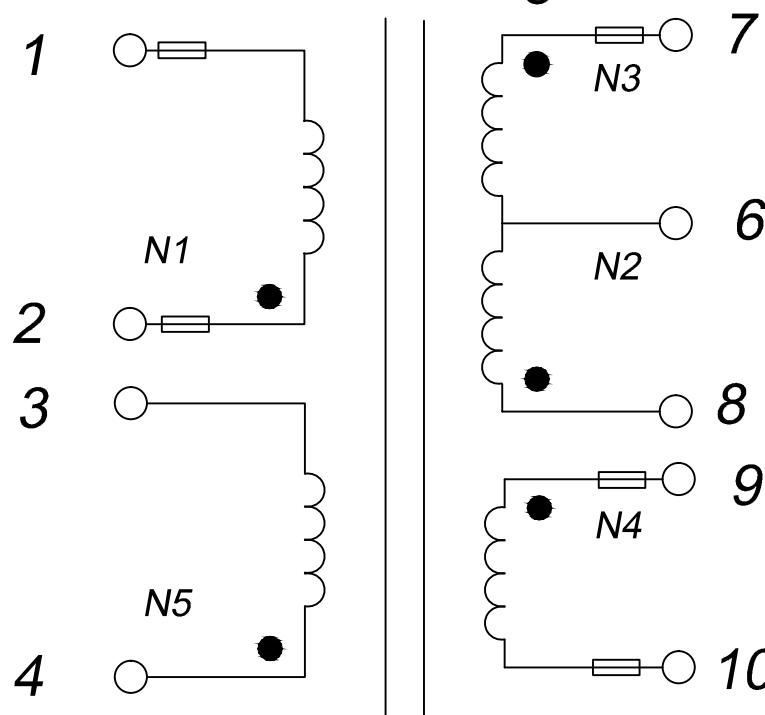
CUSTOMER TERMINAL	ROHS	Lead (Pb) -free
	YES	YES



### 1. Mechanical Dimensions



### 2. Schematic Diagram



### 3. Material List

Core:FW40-EE20/10/6  
 Bobbin:FWB2008(EF20)  
 Wire:2UEW  
 Copper foil: 0.025t\*10.0mm  
 Operating Temperature: -30 to 115°C

### 4. Electrical Specification

Inductance:  $L(1-2) = 735\mu H \pm 5\%$  1.0KHZ 1.0V  
 HI-POT: N1-N5 AC 500V 3mA 3seconds  
 N1,N5-N2,N3,N4 AC 1500V 3mA 3seconds  
 COIL-CORE AC 1500V 3mA 3seconds

REV.	DATE	 Convention Placement	DRW.	Drawing Title: <b>TRANSFORMER</b>	Part No:
0	10/18		CHK.		Customer P/N:
RoHS		www.ferriwo.com	APP.		Specification Sheet 1 of 1